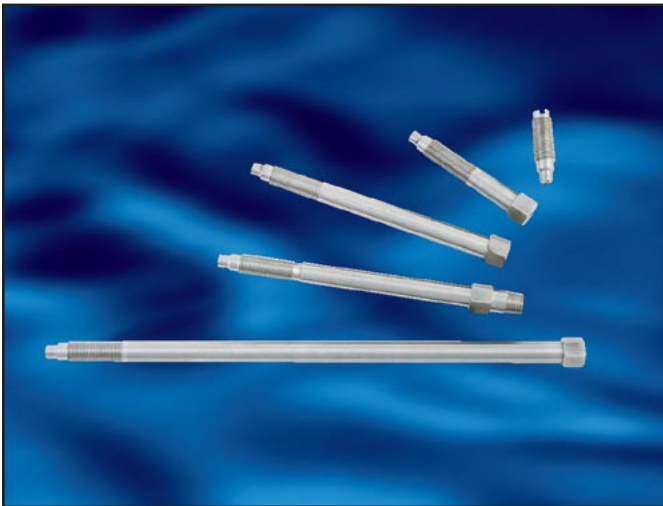


Burst Plugs

Reliable, Secure
Pressure-Relief System



Features

- Choices of burst pressure ranges from 1,500 to 15,000psi
- Each unit is supplied with a test burst certification
- Simple mechanical design for safe operation in extrusion systems
- Designed for use in systems up to 482°C (900°F) melt temperatures
- Robust Inconel rupture disk
- Accuracy of 5% of selected pressure range

Description

Burst Plugs (also known as rupture disks) are designed for reliable, emergency relief of excess pressure in a system. The Model BP420 will instantaneously rupture at a specific, predetermined pressure range. (A TechNote is available that describes the effects of process temperature on the effective range of the rupture disk.) The Model BP420 burst plugs are designed specifically for use in plastic extrusion systems. Each assembly consists of a 303 stainless steel body with an Inconel rupture disk. A burst plug may be specified for primary relief in applications where pressure build-up can occur so rapidly that the response time of a relief valve is inadequate, such as in a polymerization reaction vessel.



Specifications

MECHANICAL & PACKAGING CHARACTERISTICS

Material of

Construction:

Body	303 stainless steel
Rupture disk	Inconel

Accuracy: 5% of selected pressure range

APPROVALS & CERTIFICATIONS

CE Mark: PED 97/23/EC, modules B & D

Burst Certification: Each unit is test burst certified

Ordering Guide

BP420-XXX-XX-XX-XXXX

Process Connection

1/2 = 1/2-20 UNF
M18 = M18 x 1.5
5/8 = 5/8-11 NC
3/4S = 3/4-16 UNF Short Thread
3/4F = 3/4-16 UNF Full Thread

Polymer Discharge Options

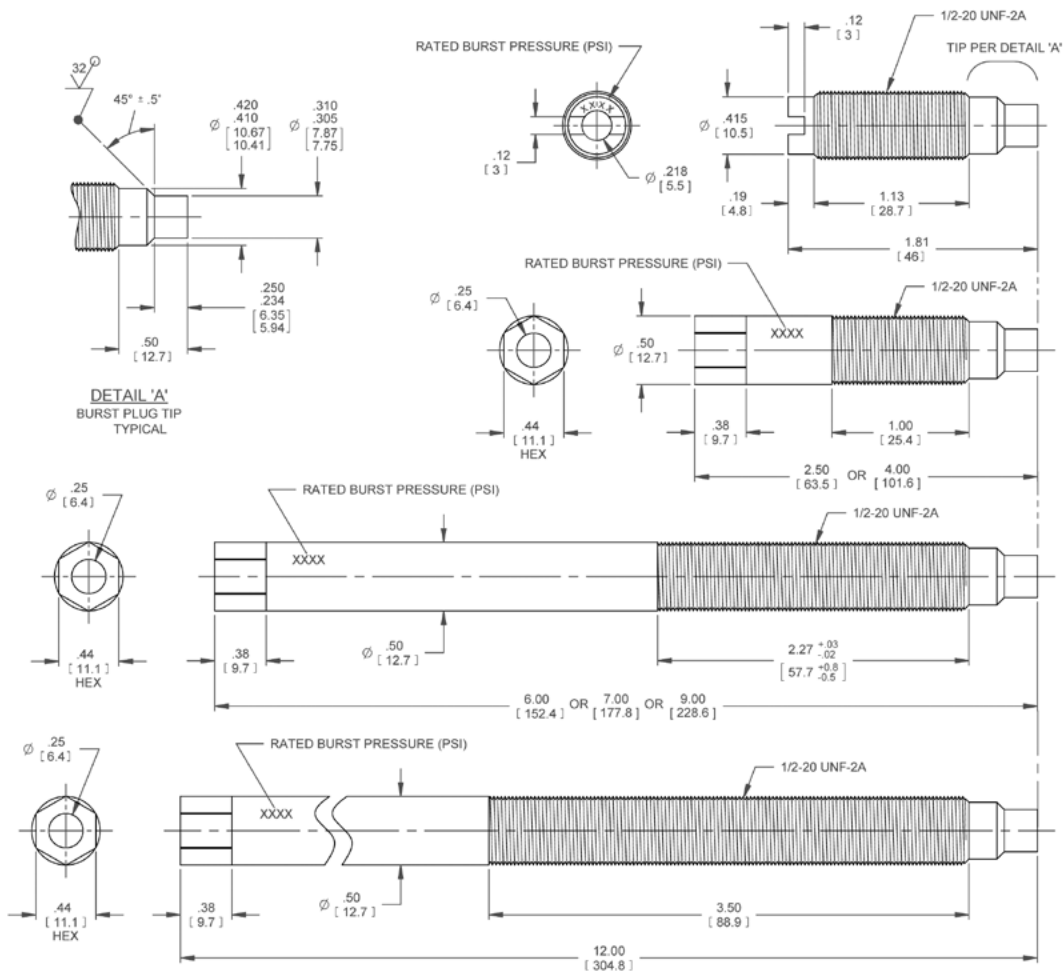
Blank = Slotted or Hex Nut (Standard)
1/4NPT = 1/4 NPT Fitting
1/2NPT = 1/2 NPT Fitting

Pressure Range

1.5M = 1,500psi	6M = 6,000psi
2M = 2,000psi	6.5M = 6,500psi
2.5M = 2,500psi	7.5M = 7,500psi
3M = 3,000psi	8.5M = 8,500psi
3.5M = 3,500psi	9.5M = 9,500psi
4M = 4,000psi	10M = 10,000psi
4.5M = 4,500psi	12.5M = 12,500psi
5M = 5,000psi	15M = 15,000psi
5.5M = 5,500psi	

Plug Length

1.81 = 1.81" (4.6cm). Slotted
2.5 = 2.5" (6.4cm). Hex
3 = 3" (7.6cm). Hex
4 = 4" (10.2cm). Hex
6 = 6" (15cm). Hex
7 = 7" (7.8cm). Hex
9 = 9" (23.0cm). Hex
12 = 12" (32.0cm). Hex



All dimensions are inches (mm) unless otherwise specified.
 ©2009. Dynisco reserves the right to make changes without notice.
 Refer to www.dynisco.com for access to Instruction Manual and other support documentation.